
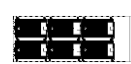


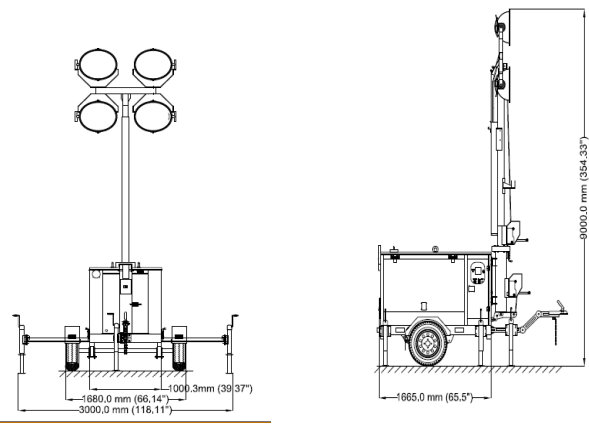
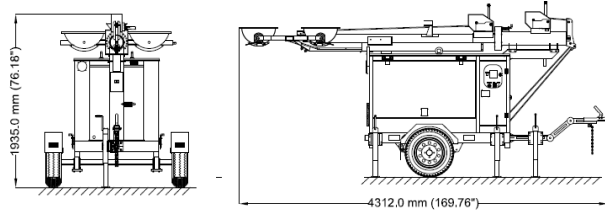




PI Model	Hz/rpm	Voltage	kVA	kW
PI 9P	50/1500	3Ph(400/230)	9.9	7.9
		1Ph(230)	6.6	5.2
PI 11P	60/1800	3Ph(480/240)	12.4	9.9
		1Ph(240)	6.7	5.3

Applicable Standard and References: ISO 8528-1; ISO 3046-1; BS 5514  
The above given ratings are Standby rating as per ISO 8528-1 at 0.8 PF

Engine Technical Data		20 feet HQ container Loading	
Engine Make & Model	Perkins 403A-11G1/403D-11G	2 units assembled condition	6 units dismantle condition
No. of Cylinders	3, In-line		
Cycle	4-Cycle		
Aspiration	Natural		
Cooling Method	Water Cooled		
Governing Type	Mechanical		
Governing Class	ISO 8528 Part 1 G2		
Compression Ratio	23.0:1		
Displacement (L)	1.13	40 feet HQ container Loading	
Bore/Stroke (mm)	78/81	5 units assembled condition	20 units dismantle condition
Battery Charger, Ampere	12V DC/ 20 Amps		
Alternator Technical Data		Operating Position	
Alternator Make & Model	Stamford PI044E		
No. of Poles	4		
WINDING LEADS	12		
No. of Bearings	Single		
Insulation Class	Class H		
Winding Pitch	TWO THIRDS		
Ingress Protection Rating	IP-23		
Excitation System	Self		
AVR Model	AS540		
Controller Technical Data		Travel Position	
Controller Make & Model	ComAp - Nano		
Operation mode	MRS / AMF(Optional)		
Display	Graphic back-lit LCD		
Ingress Protection Rating	Sealed front face(IP65)		
Engine Protection	Temp, Pressure, speed, charge failure		
Alternator Protection	Freq, Voltage, short-circuit, reverse power, overload		
Emergency	Emergency Stop Push Button		
Event Log	Alarms log, Hours log		
Fuel indication	Fuel Level sensor(Optional)		
Lighting mast			
No. of Lamp	4 x1000 Watt Metal Halide Lamps		
Total Lumens	20 lux		
Lighting area	46000 m2		
Lifting type	High Capacity Durable Auto Break Winch		
Maximum height	9m		
Rotation deg.	340 Degree Rotatable Mast		
Others			
Designed withstand	110 kph of Wind Speed.		
Tail Lights	Stop & Turn Signals		
Enclosure	Heavy Gauge Steel Enclosure		
Fork lift pockets	Available		
AUX Socket And Switches	AUX(2 x 16A), 2 x light switches		

- Notes:
- 1-Prime power rating of generating set is a variable load and unlimited hours usage are applied on the generating set with an average load factor of 80% of the prime rating over each 24 hour period. Noting that a 10% overload is available for 1 hour in every 12 hours operation.
  - 2-Standby power rating of the generating set is a variable load limited to an annual usage upto 500 hours is applied, with 300 hours of which may be continuous running. Noting that no overload is permitted.
  - 3- Warranty: one year or (1000) hours from the date of delivery, whichever comes first.
  - 4- Referring to our company policy of continuous development, PI reserves the right to change specification without notice.

N.A. - Not Available  
N/A - Not Applicable to this Engine  
TBD - To Be Determined